



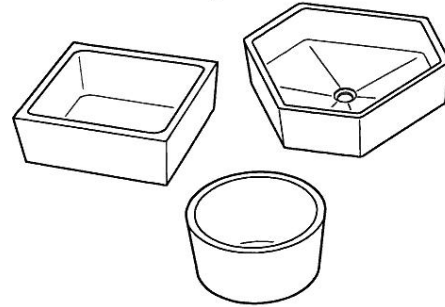
# PRODUCT DIMENSIONS

DOMESTIC SIZES

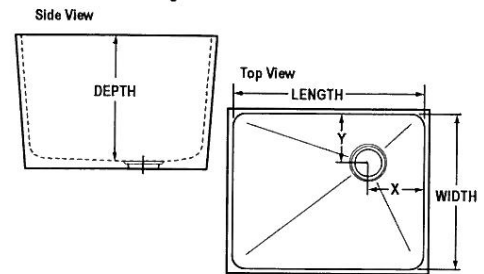
## Standard Undermount Sinks

Sink No.	Outlet	Wgt (lb)	Dimensions (in)				
			Inside Bowl			Outlet	
			Length	Width	Depth	X	Y
U03C	Center	17	12.0	8.0	6.0	6.0	4.0
U05C	Center	22	14.0	10.0	6.0	7.0	5.0
U10C	Center	22	16.0	8.0	7.0	8.0	4.0
U10E	End	22	16.0	8.0	7.0	3.5	4.0
U15C	Center	34	16.0	12.0	8.0	8.0	6.0
U15E	End	34	16.0	12.0	8.0	4.5	6.0
U20	Corner	39	16.0	16.0	7.5	4.0	12.0
U22C	Center	22	18.0	6.5	6.0	9.0	3.3
U24C	Center	38	18.0	14.0	10.5	9.0	7.0
U25	Corner	40	18.0	15.0	8.0	3.5	3.5
U30	Corner	49	18.0	15.0	11.0	3.5	3.5
U30C	Center	49	18.0	15.0	11.0	9.0	7.5
U33E	End	64	21.0	17.0	10.0	4.5	8.6
U35E	End	61	21.0	18.0	10.0	4.5	9.0
U40	Corner	47	21.3	15.5	7.0	4.0	4.0
U45	Corner	64	21.5	15.5	11.0	4.0	4.0
U50C	Center	54	24.0	16.0	8.0	12.0	8.0
U52E	End	77	23.6	17.6	10.8	4.0	9.0
U53E	End	85	24.4	18.4	16.8	4.3	9.3
U55	Corner	60	25.0	15.0	10.0	3.5	3.5
U56C	Center	76	24.0	16.0	12.0	12.0	8.0
U59E	End	65	28.0	15.0	12.0	11.5	7.5
U63E	End	75	31.0	17.0	10.0	4.0	8.5
RS05C	Center	21	11.9	Round	7.5	Center	

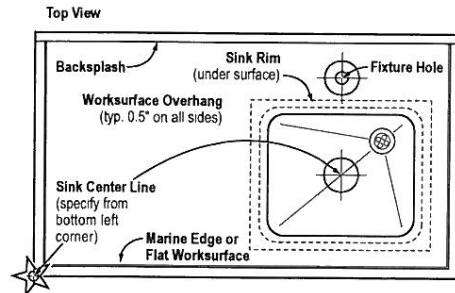
## Undermount Sink Styles



## Dimensions Key



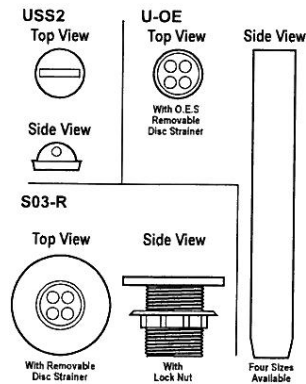
## Installation Detail



## Special Order Undermount Sinks

Sink No.	Outlet	Wgt (lb)	Dimensions (in)				
			Inside Bowl			Outlet	
			Length	Width	Depth	X	Y
U02C**	Center	16	12.0	6.0	6.0	3.0	6.0
U04C*	Center	18	12.0	6.0	7.0	6.0	3.0
U08C*	Center	25	12.0	12.0	8.0	6.0	6.0
U16**	Center	36	15.8	13.8	7.9	6.9	7.9
U23C*	Center	54	16.0	16.0	12.0	8.0	8.0
U32**	Corner	82	18.8	18.0	21.1	4.3	5.9
U34**	Center	55	20.0	20.0	12.0	10.0	10.0
U43**	Center	35	22.5	10.5	7.4	5.3	11.3
U49	Corner	68	22.0	14.5	10.6	4.0	3.5
U51E	End	59	24.0	16.0	10.0	4.5	8.0
U54*	Corner	95	23.0	21.0	19.1	6.5	16.0
U58E*	End	56	27.8	14.8	8.0	7.5	11.5
U60E*	End	83	28.0	20.0	8.8	14.0	6.5
U61**	Center	141	30.0	18.0	18.0	9.0	15
U62**	Center	100	31.0	21.0	10.0	17.8	9.8
U64**	Center	95	31.0	21.0	12.0	10.5	15.5
U65C*	Center	100	35.5	19.6	10.0	9.8	17.8
U66C*	Center	110	35.7	19.7	12.0	9.9	17.9
U67**	Center	118	36.0	20.0	16.0	10.0	18.0
U71C*	Center	108	43.0	15.0	11.0	7.5	21.5
U72C	Center	179	43.3	15.3	16.0	7.7	21.7
U73*	Corner	150	38.0	21.0	19.1	15.8	5.25
U75C*	Center	126	42.0	20.0	10.0	10.0	21.0
U77**	Center	212	42.5	20.1	16.0	10.1	21.3
U81E*	End	100	48.8	24.6	5.6	4.0	12.2
RS10C*	Center	37	19.5	Round	8.5	Center	
H20C*	Center	82	30.0	Hexagon	6.9	Center	

## Outlets & Accessories



**LBI** Laboratory Builders, Inc.  
Building labs that shape the future  
labbuildersinc.com

Greg Ginger  
President



National Direct Accounts Dealer for Jamestown Metal Products

5641 S Cass Ave  
Westmont, IL 60559

Office 630 598-0216  
Fax 630 598-0218  
Cell 630 235-5292  
gginger@builddalab.com